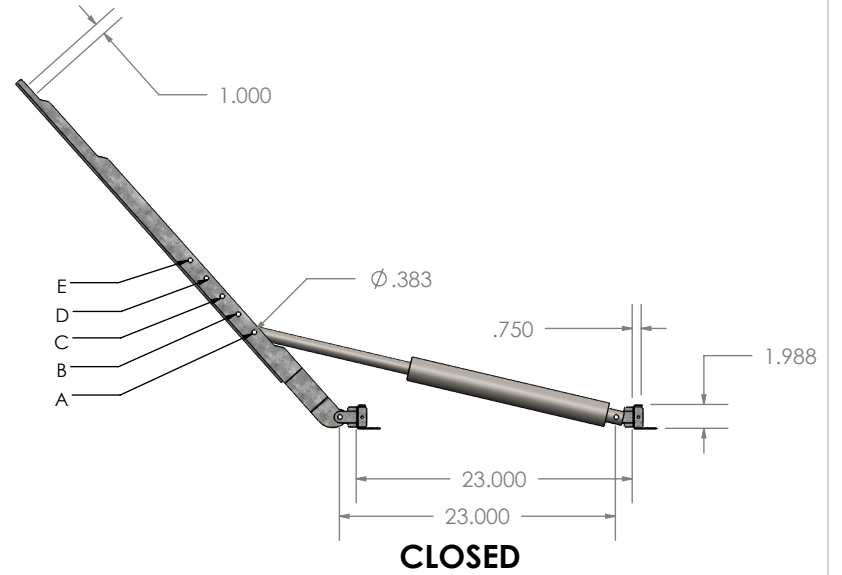
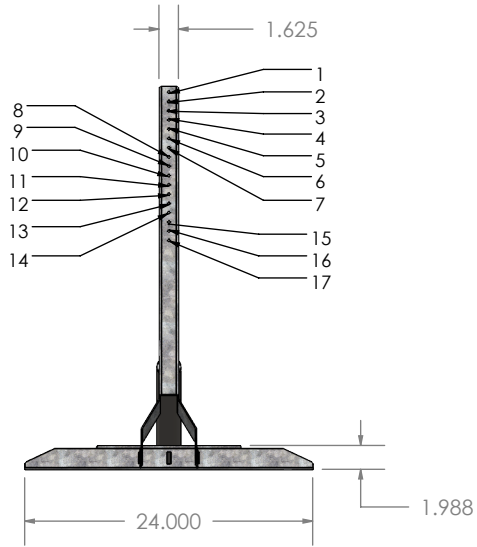


CHART (INCHES)	1	2	3	4	5	6	7	8	9	10	11	12	13	14	15	16	17
E	28.412	27.667	26.921	26.175	25.430	24.684	23.938	23.193	22.447	21.701	20.956	20.210	19.464	18.719	17.973	17.227	16.482
D	31.488	30.661	29.835	29.009	28.182	27.356	26.529	25.703	24.877	24.050	23.224	22.397	21.571	20.745	19.918	19.092	18.266
C	35.563	34.630	33.696	32.763	31.830	30.896	29.963	29.030	28.096	27.163	26.230	25.296	24.363	23.430	22.496	21.563	20.630
B	41.205	40.124	39.043	37.961	36.880	35.798	34.717	33.635	32.554	31.473	30.391	29.310	28.228	27.147	26.065	24.984	23.903
A	49.559	48.258	46.957	45.657	44.356	43.055	41.755	40.454	39.153	37.853	36.552	35.251	33.951	32.650	31.349	30.049	28.748



**PROPRIETARY AND CONFIDENTIAL**  
 THE INFORMATION CONTAINED IN THIS DRAWING IS THE SOLE PROPERTY OF OCFAB. ANY REPRODUCTION IN PART OR AS A WHOLE WITHOUT THE WRITTEN PERMISSION OF OCFAB IS PROHIBITED.

PROJECT		DESCRIPTION:	
MATERIAL		SIZE	PART. NO.
DRAWN <b>JUSTIN</b>		<b>A</b>	<b>EZLID-00</b>
DATE <b>2016-11-16</b>	U of M IPS	SCALE: 1:16	WEIGHT: 25.81
		SHEET 1 OF 1	